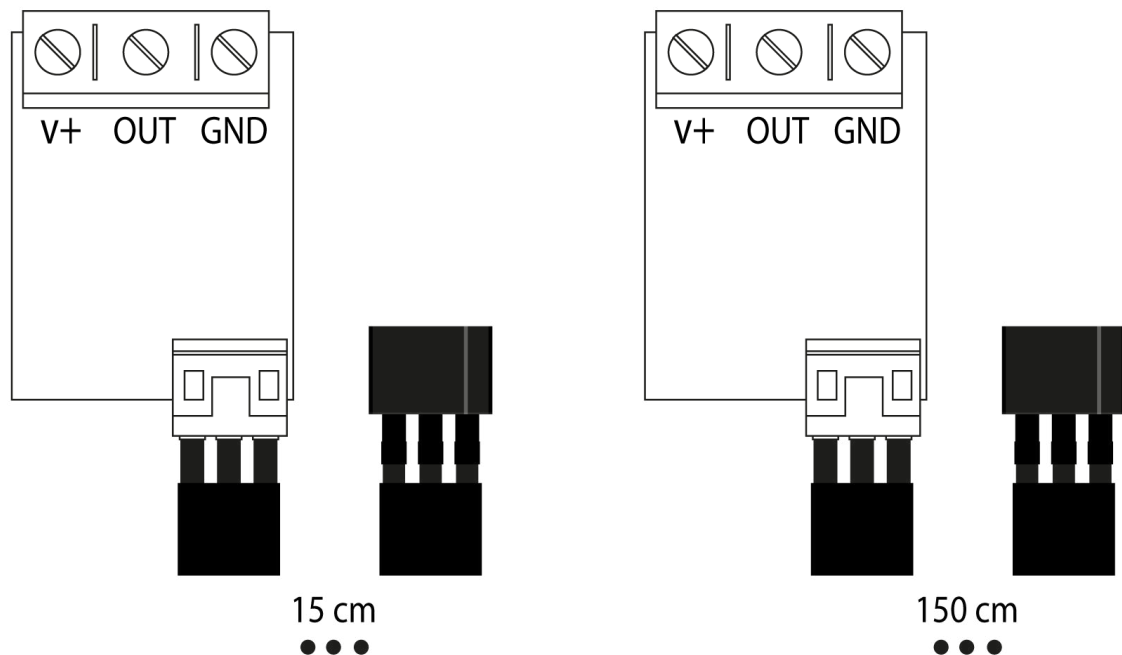


# DEIMIC Temperature Sensor



**DEIMIC** Temperature Sensor is dedicated temperature sensor for **DEIMIC ONE** system.

The sensor converts measured temperature to digital signal, which **DEIMIC ONE** system decodes.

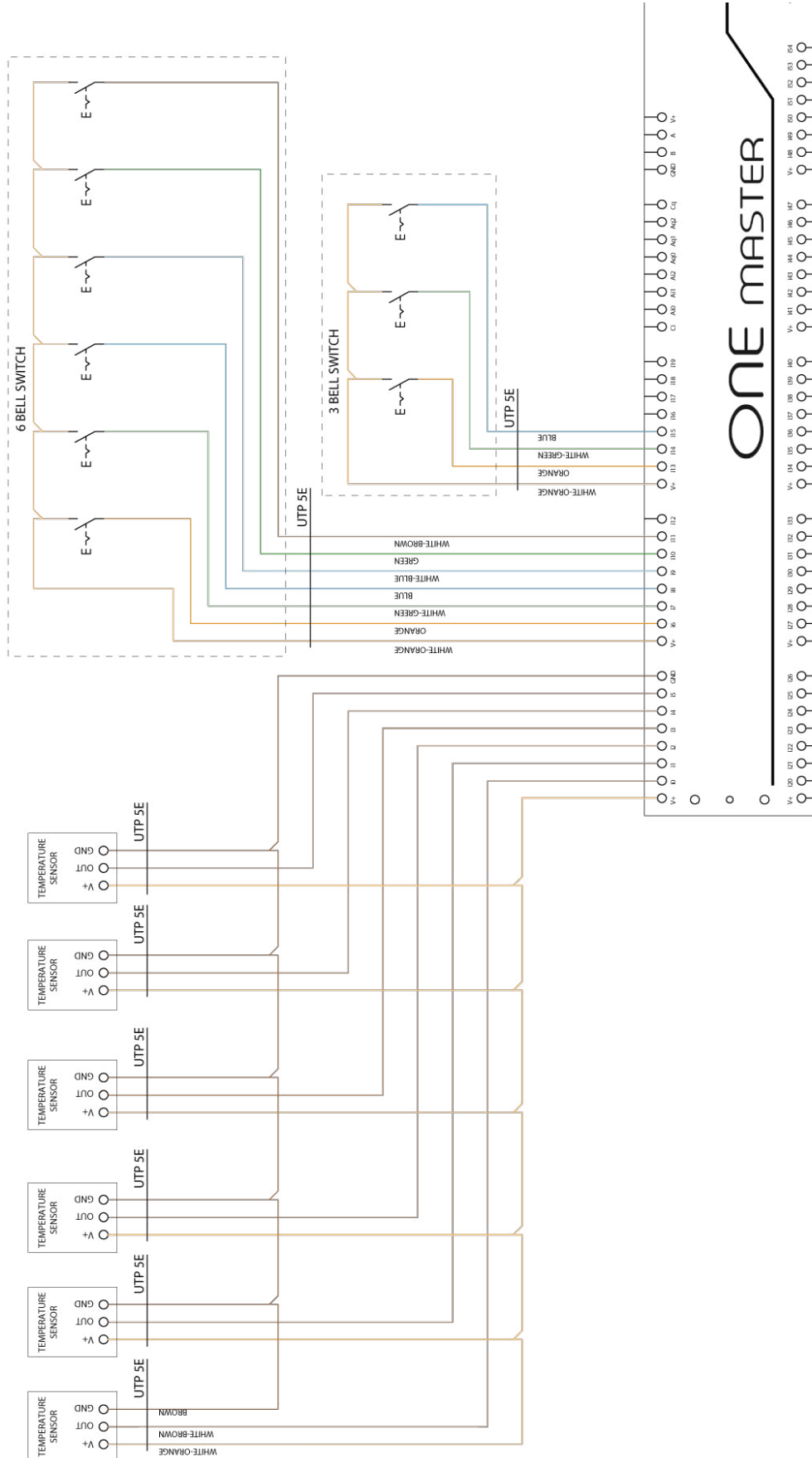
Due to that **DEIMIC** Temperature Sensor is only temperature sensor which can be connected to the **DEIMIC ONE** system.

The Sensor measurement range is -40 do +60 degrees of Celsius.

The sensor is available with 2 measurement cable lengths: 15 cm and 150 cm, the default measurement cable length is 15 cm.

# DEIMIC Temperature Sensor

Wiring Temperature Sensors to **DEIMIC ONE** module:



# DEIMIC Temperature Sensor



The device should be connected to single-phase electric power according to every safety standards for electrical installations and electrical regulations. Wiring diagrams are included in this instruction. The device should be installed by qualified electrician which have been read this manual.

The removal of the device housing means lose of the warranty and it risk of electrical shock. Before instalation ensure that there are no voltage on electrical cables. 3,5 mm PH screwdriver should be used for instalation.

Transport methods, storage and usage of the device have influence to its proper working. Instalation should not be performed in case of device damage, missing parts of the device or its deformations. In case of improper device working contact with the producer.

Utilization of waste electrical and electronic equipment is regulated by the EU directive 2002/96/EC. The Directive prohibits disposal of waste electrical and electronic equipment with other garbage under penalty of a fine.



According to the law, worn out devices must be separately collected and sorted. Customers should contact their local authorities or the seller to get information about disposal of a waste electrical and electronic equipment.