

DEIMIC 6 x Relay 16A



6x RELAY module is intended to use as external relays, which coils are powered with low voltage, so UTP cables can be used for controlling lights circuits.

This module is typically used for building garden distributor.

6x RELAY module contains 6 x 16 A relays which can conduct 80 A pulse current (pulse duration 20 ms).

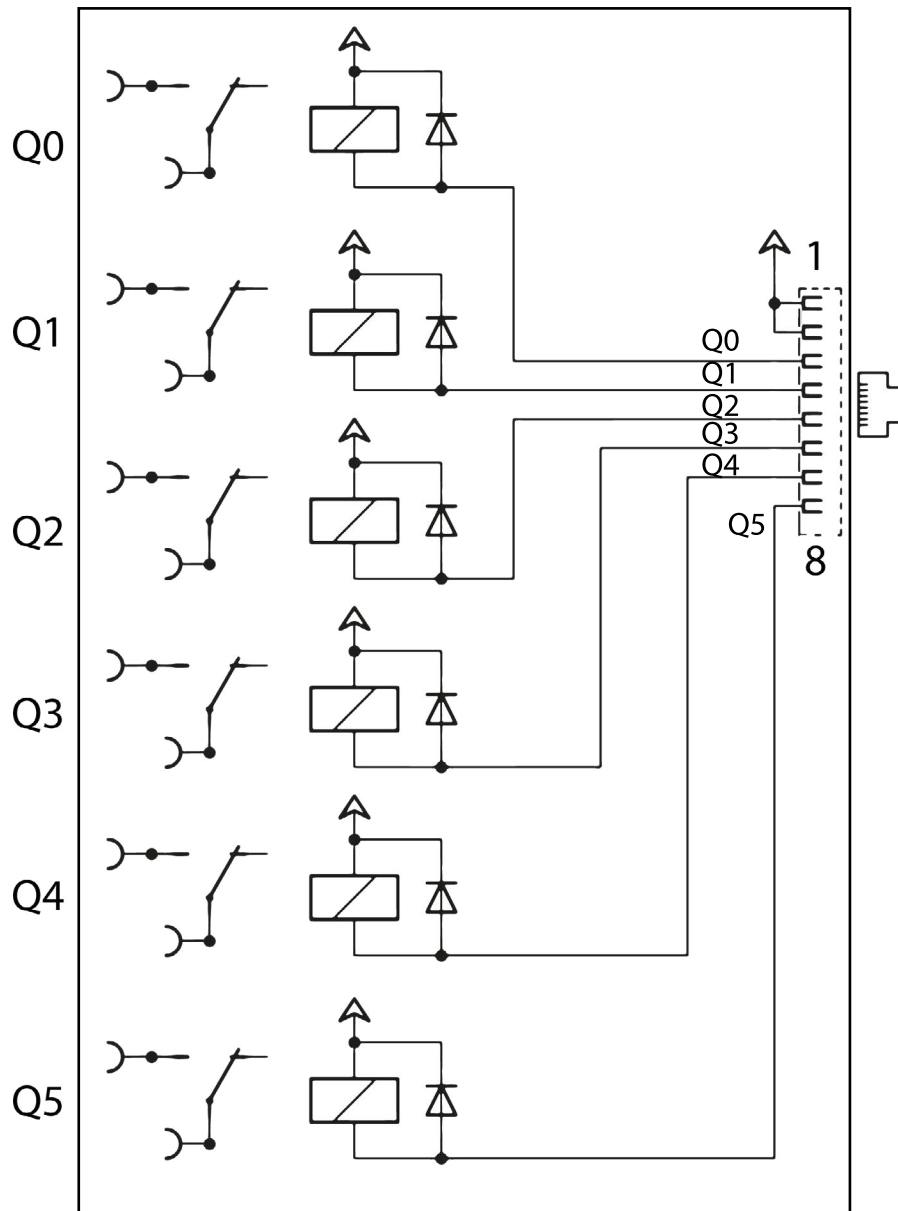
Relays are powered via RJ45 socket and relays contacts are leaded to the screw terminals.

The module is available in two versions: in first the relays are powered by 12V DC power supply, in second the relays are powered by 24V DC power supply.

Please specify version of module in ordering process.

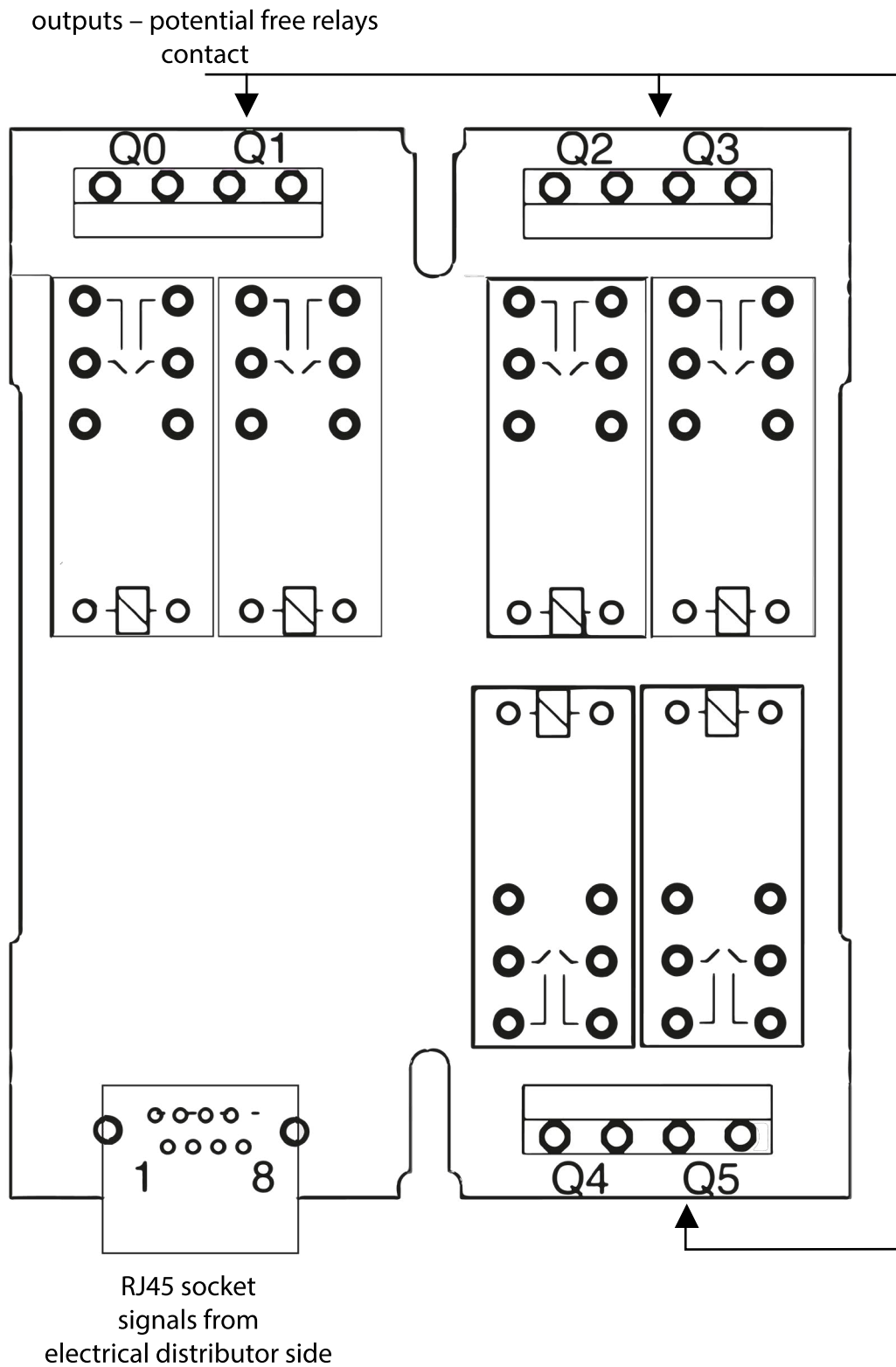
DEIMIC 6 x Relay 16A

internal schematic:



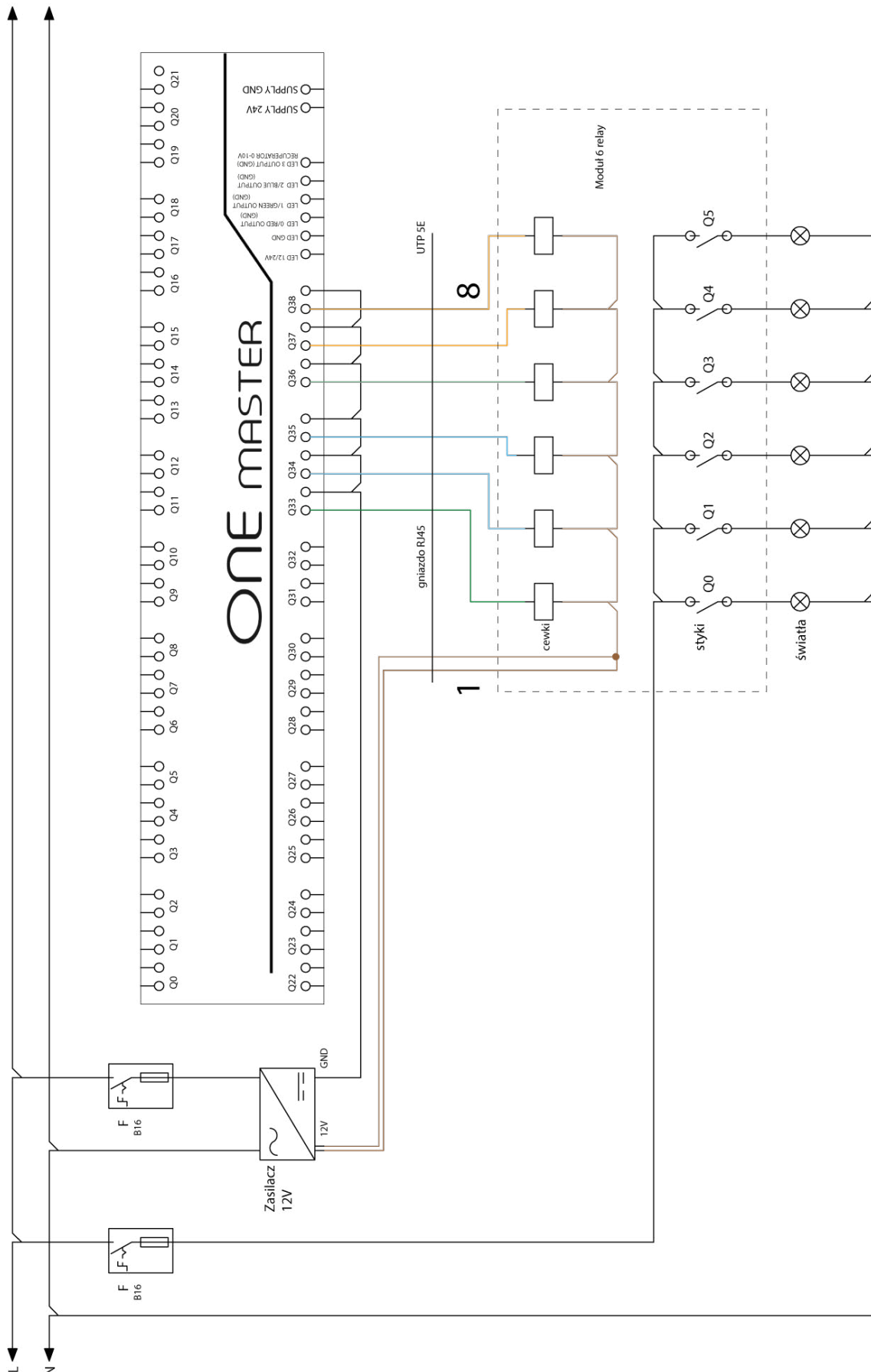
DEIMIC 6 x Relay 16A

Top view of PCB with relays:



DEIMIC 6 x Relay 16A

Wiring diagram for connecting the 6 x RELAY module to the **DEIMIC ONE** Master



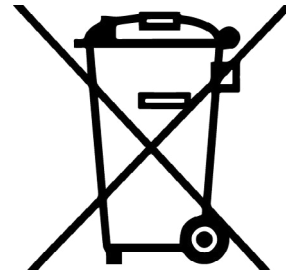
DEIMIC 6 x Relay 16A



The device should be connected to single-phase electric power according to every safety standards for electrical installations and electrical regulations. Wiring diagrams are included in this instruction. The device should be installed by qualified electrician which have been read this manual.

The removal of the device housing means lose of the warranty and it risk of electrical shock. Before instalation ensure that there are no voltage on electrical cables. 3,5 mm PH screwdriver should be used for instalation.

Transport methods, storage and usage of the device have influence to its proper working. Instalation should not be performed in case of device damage, missing parts of the device or its deformations. In case of improper device working contact with the producer.



Utilization of waste electrical and electronic equipment is regulated by the EU directive 2002/96/EC. The Directive prohibits disposal of waste electrical and electronic equipment with other garbage under penalty of a fine. According to the law, worn out devices must be separately collected and sorted. Customers should contact their local authorities or the seller to get information about disposal of a waste electrical and electronic equipment.