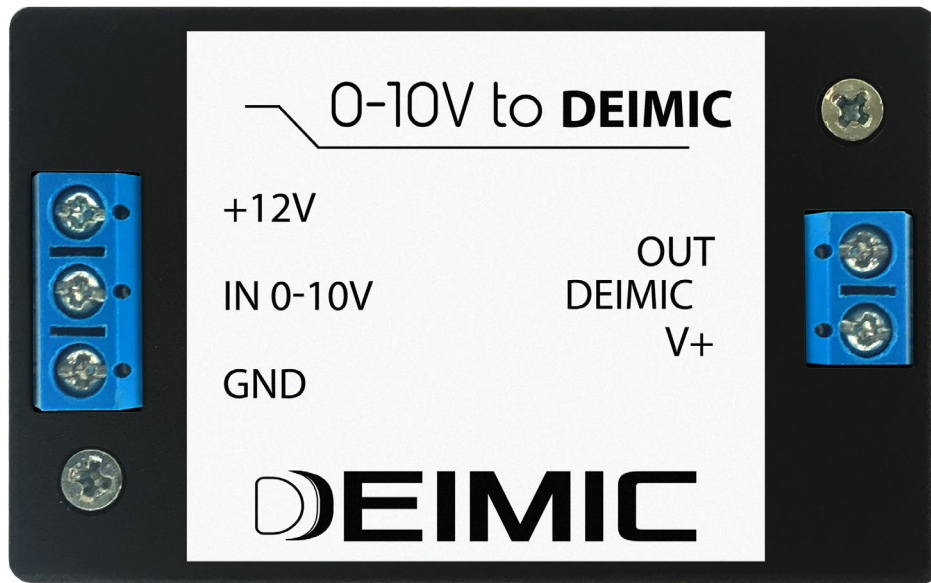


DEIMIC 0-10V to DEIMIC



The module is intended to use in case of need of connectig 0-10 V or 4-20 mA signal to the **DEIMIC** system.

The module converts 0-10 V or 4-20 mA (after addition of external 500R 1/2W resistor) signal to digital signal which can be interpreted by the **DEIMIC** system.

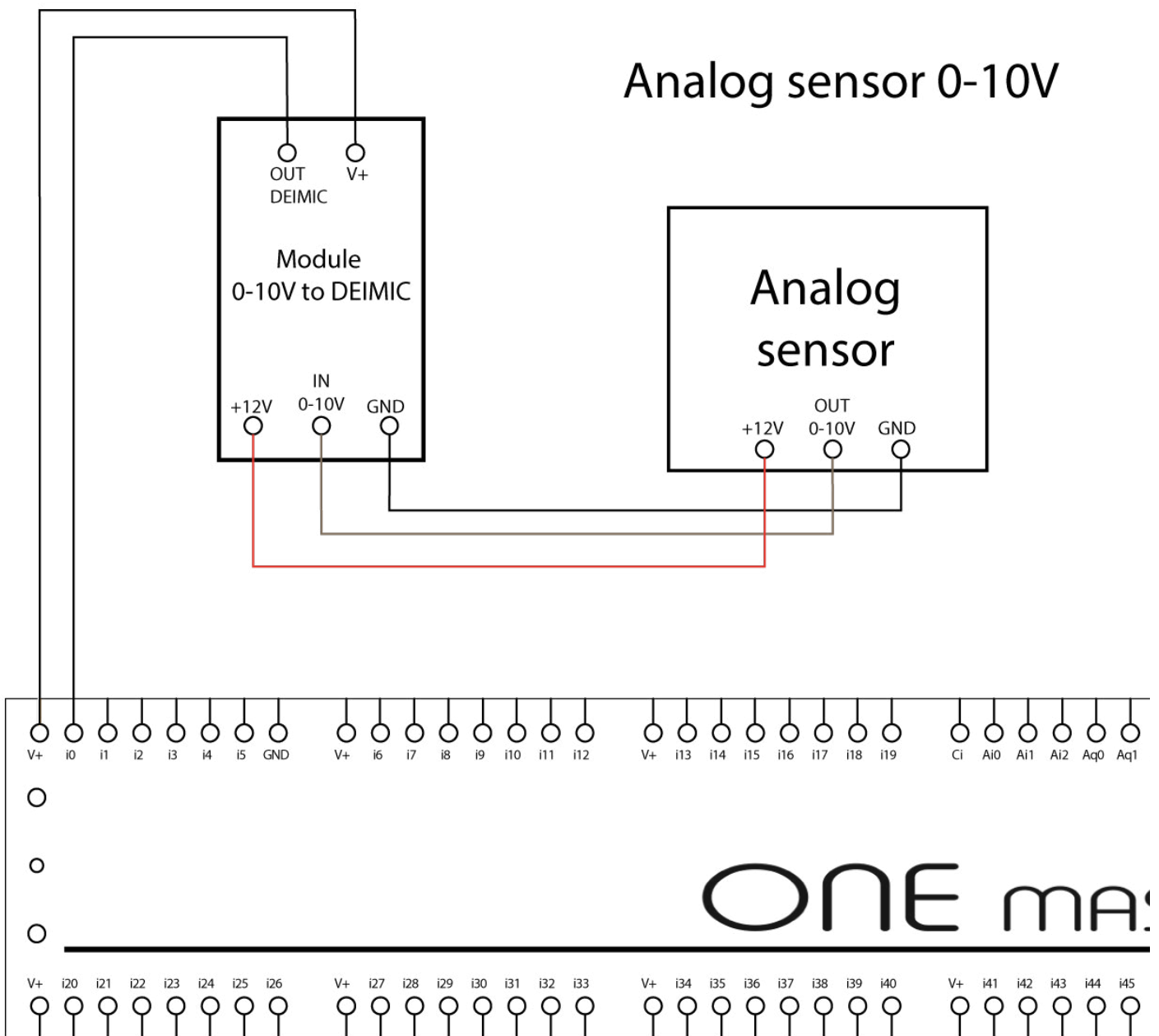
Power supply of external sensor 0-10V (4-20mA) should be connected to +12V and GND terminals of the module, the sensor signal which has to be measured to the „IN 0-10V” input of the module.

„**DEIMIC OUT**” terminal is intended to connect with **DEIMIC** module input (input i0 to i9). V+ terminal should be connected to V+(12V) terminal on **DEIMIC** module inputs connector.

Optoisolation is placed between 0-10 V to Digital module inputs and outputs.

DEIMIC 0-10V to DEIMIC

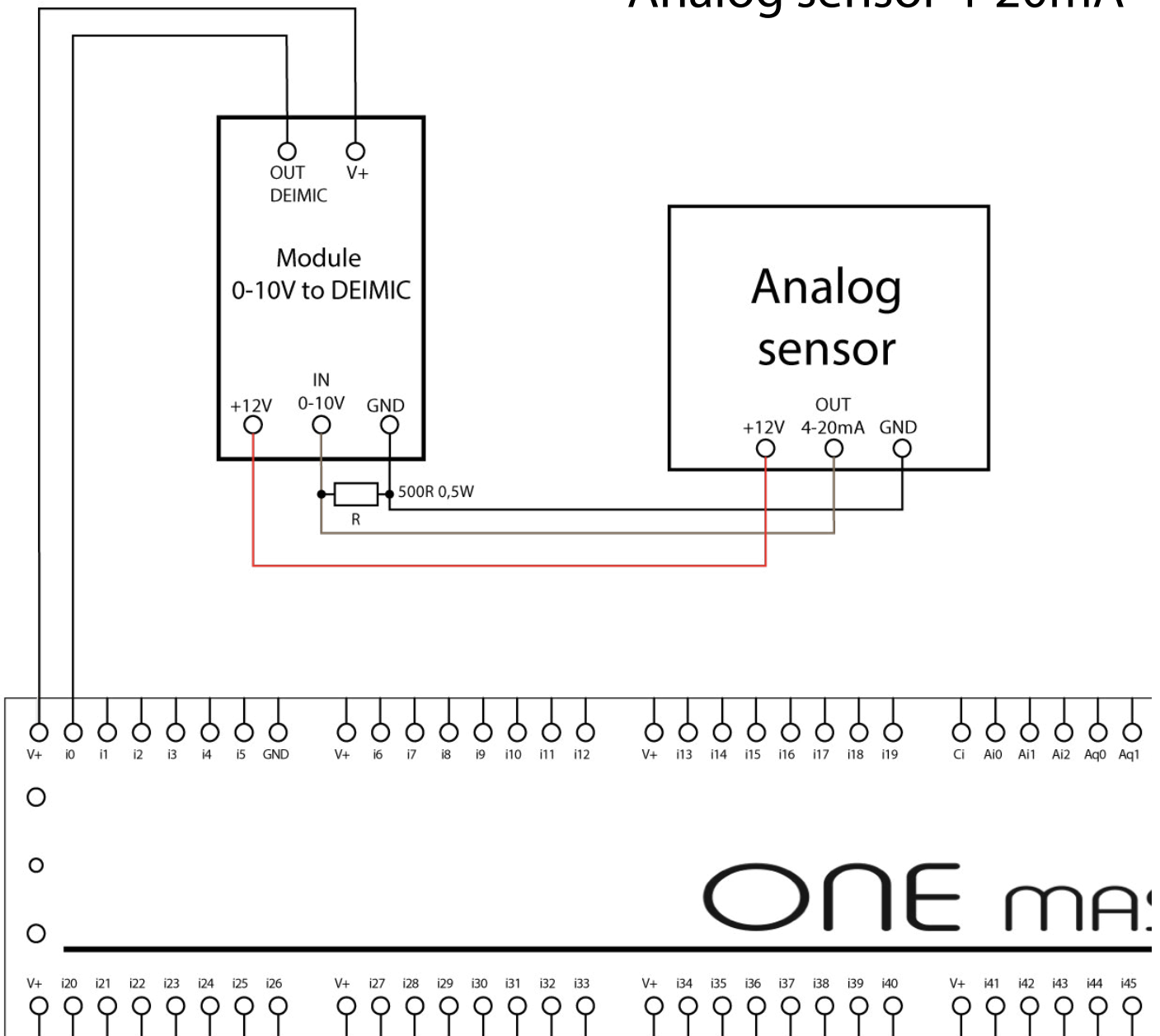
Wiring diagram for connecting external sensor with analog 0-10 V output to the **DEIMIC ONE** module through the 0-10V to **DEIMIC** module.



DEIMIC 0-10V to DEIMIC

Wiring diagram for connecting external sensor with 4-20 mA output to the **DEIMIC** ONE module through the 0-10 V to **DEIMIC** module with external resistor 500 Ohm 0.5 W:

Analog sensor 4-20mA



DEIMIC 0-10V to DEIMIC



The device should be connected to single-phase electric power according to every safety standards for electrical installations and electrical regulations. Wiring diagrams are included in this instruction.

The device should be installed by qualified electrician which have been read this manual.

The removal of the device housing means lose of the warranty and it risk of electrical shock. Before instalation ensure that there are no voltage on electrical cables. 3,5 mm PH screwdriver should be used for instalation.

Transport methods, storage and usage of the device have influence to its proper working. Instalation should not be performed in case of device damage, missing parts of the device or its deformations. In case of improper device working contact with the producer.



Utilization of waste electrical and electronic equipment is regulated by the EU directive 2002/96/EC. The Directive prohibits disposal of waste electrical and electronic equipment with other garbage under penalty of a fine.

According to the law, worn out devices must be separately collected and sorted. Customers should contact their local authorities or the seller to get information about disposal of a waste electrical and electronic equipment.